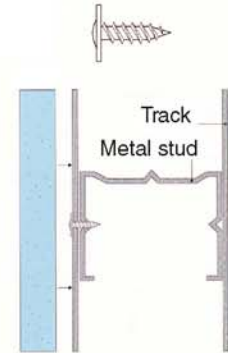


FRANCHISE WAFER NON-SELF DRILL DRYWALL SCREWS

DWSNSW/4103

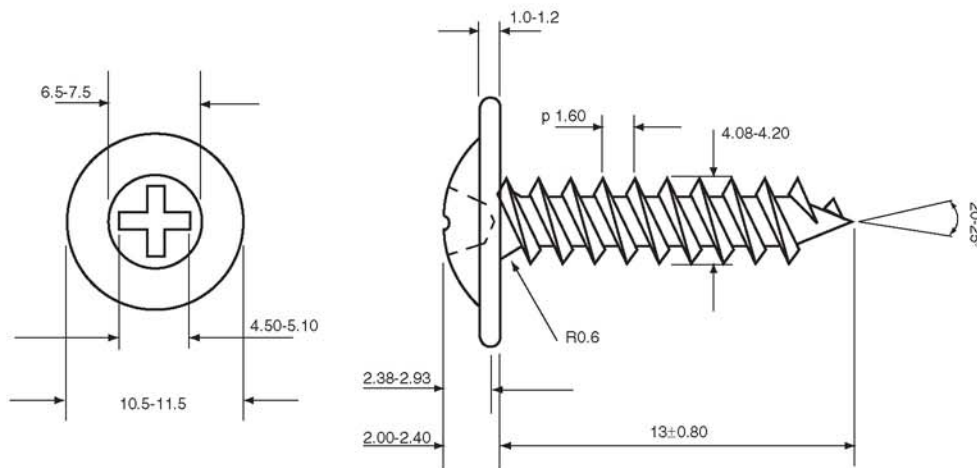
WAFER HEAD NON-SELF DRILL

- Low profile large diameter head for connecting light gauge metal components beneath plasterboard
- Max Stud Thickness 1.2mm
- Zinc plated
- 13 x 4.2mm dia.



WAFER HEAD SELF DRILLING SCREWS #8 (M4.2)

Penetration depth	1.80-2.39mm
Material & Case hardness	K1022 Steel, case depth 0.10-0.23mm
Surface Harden	544-653 HV



P&M
Fixings & Fasteners

Unit 6, Franchise Street, Wednesbury,
West Midlands WS10 9RG
Telephone: 0121-526 5775
Fax No.: 0121-568 6108
E-Mail: enquire@pmfixings.com
Website: <http://www.pmfixings.com>