

FRANCHISE SELF DRILLING DRYWALL SCREWS

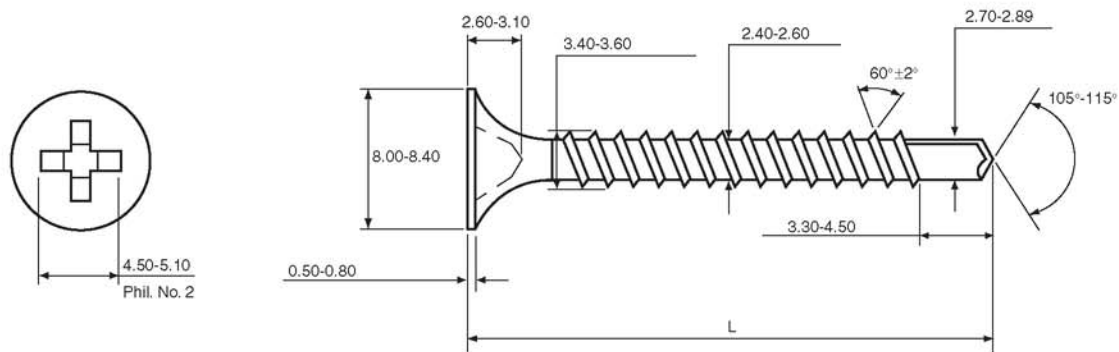
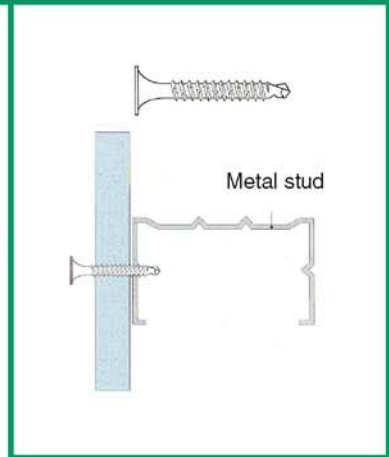
DWSSDB/4103

SELF DRILLING DRYWALL

- For fixing plasterboard to heavy gauge metal stud partitions and ceiling systems
- Trade name (TEK)
- Max Stud Thickness 1.6mm
- Zinc plated
- 25 to 60mm x 3.5mm dia.
- 65 to 75mm x 4.2mm dia.

SELF DRILLING SCREWS #6 (M3.5)

Material C1018
 Surface Harden 550-800 HV 0.3
 Breaking Torque 28Kg/cm
 Drilling Time 4 sec
 Bending Angle min 10°



L	1-1/8"	1-1/4"
L	29mm	32mm
Min	27.73	30.73
Max	30.27	33.27



P&M
Fixings & Fasteners

Unit 6, Franchise Street, Wednesbury,
 West Midlands WS10 9RG
 Telephone: 0121-526 5775
 Fax No.: 0121-568 6108
 E-Mail: enquire@pmfixings.com
 Website: <http://www.pmfixings.com>